



MIR-254-PE

MIR

Cooled Incubators

123 L / 238 L

All-round performance

MIR Cooled Incubators are suitable for a wide range of applications. These incubators offer precise, repeatable control of programmable temperatures and lighting patterns, which are essential to biological research and environmental studies.

Repetitive Operation & Operability

Precise, repeatable control of programmable temperatures and lighting patterns. A program can be set to repeat for a minimum of one time to a maximum of 98 times or continuous repeat.

High-precision Temperature Control

Precise temperature control with a high precision microprocessor combined with a heater PID and compressor on/off system. The temperature control ranges from -10°C to $+60^{\circ}\text{C}$.

Intuitive Operation

A LCD control panel with touch keyboard displays temperature and time, and allows easy setting of parameters. Operation data can be auto-recorded and graphically displayed.



Diverse experiments

Ideal for experimentation during night time and holidays, experimentation that requires settings to be changed, micro-organism culture and preservation.



Medium desiccation prevention

A DC fan is designed to be aimed obliquely upward to prevent direct air flow contacting samples. This reduces medium drying.



Wide temperature control range from -10°C to $+60^{\circ}\text{C}$

With a wide temperature range from -10°C to $+60^{\circ}\text{C}$, MIR Cooled Incubators allow a full range of precise experiments including environmental tests to micro-organism cultures and plant germination tests.

MIR Cooled Incubators



MIR-154-PE

Improved experimentation of repetitive operation and operability

Programmable operation function with microprocessor control

Combining flexible temperature (H), light on/off (L) and time control (T), a maximum 12-step plus constant operation or max. 12-step repeating operation can be programmed according to the experimentation requirements. A program can be set to repeat for a minimum of one time to a maximum of 98 times or continuous repeat. The Cooled Incubators also offer the choice of timer mode, 24-hour clock mode and timer mode to suit user experiments. Up to 10 programs can be stored for convenient retrieval and set-up of frequently run experiments. Individual programs can be combined using the join function. Constant operation mode without step operation is also available.

Energy savings

In addition to a microprocessor-controlled high efficient heater output and compressor on/off, an updated control program and low heat-emission inner chamber fan have been incorporated to allow high energy saving operation over a wider range of ambient environments.

Light timer control

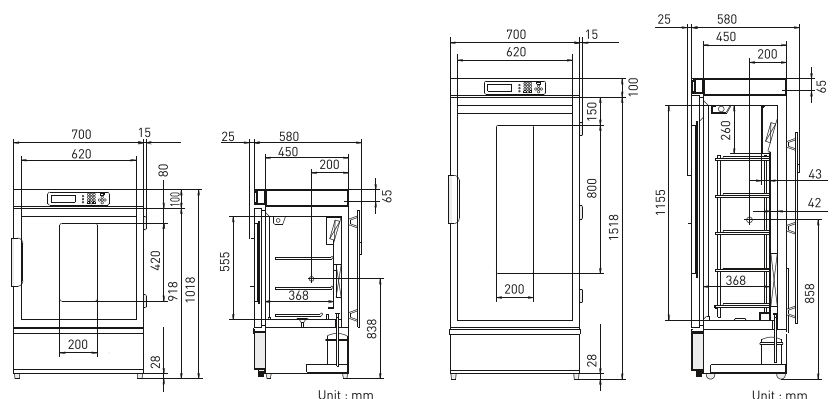
On/off programmed timer control for standard equipped fluorescent light (15W x 1pc) is available. Optional light addition kit (MIR-L15) can add three more fluorescent lights into the chamber ceiling, giving approx. 3000 lux at 30cm below from the light sources.

Model Number		MIR-154-PE	MIR-254-PE
Dimensions			
External dimensions (W x D x H) ¹⁾	mm	700 x 580 x 1018	700 x 580 x 1618
Internal dimensions (W x D x H)	mm	620 x 368 x 555	620 x 368 x 1088
Volume	liters	123	238
Net weight	kg	78	108
Performance			
Temperature control range & fluctuation	°C	-10 ~ +60 (AT; +5 ~ +35, no load), ±0.2 with Heater PID control (SV 50), ±1.5 with Compressor control (SV 5) PID control: 7°C above AT	
Temperature uniformity	°C	±0.5°C (set: 37°C, ambient temp.: 20°C, no load)	
Control			
Temperature sensor		Thermistor	
Refrigeration			
Compressor		150	250
Refrigerant*		R-513A	R-513A
Refrigerant weight	g	90	125
Refrigerant GWP		631	631
Total Refrigerant weight (CO ₂ equivalent)	t	0.057	0.079
Cooling method		Forced air circulation	
Insulation material		PUF	
Insulation thickness	mm	40	40
Construction			
Exterior material		Painted steel	
Interior material		SS SUS-304	
Outer door	qty	1	
Outer door lock		-	MIR-LP option
Reversible door		Y	
Shelves	qty	3	5
Max. load per shelf	kg	20	
Max. total load	kg	61	100
Access port	qty	1	
- position		Left side	
- diameter	∅ mm	40	
Interior fluorescent lamp		1, 15, with MIR-L15-PE ²⁾ option	
Alarms (R = Remote Alarm, V = Visual Alarm, B = Buzzer Alarm)			
High temperature		V-B-R	
Low temperature		V-B-R	
Door open		V-B	
Electrical and Noise Level			
Power supply	V	230	
Frequency	Hz	50	
Noise level ³⁾	dB(A)	41	44
Options			
Stacking kit		MIR-S154SB-PW	-
Door padlock bracket		MIR-LP-PW	
Additional illumination kit		MIR-L15-PE	
Door window blanking plate		MIR-154BP-PW	MIR-254BP-PW

Appearance and specifications are subject to change without notice.

¹⁾ Exterior dimensions of main cabinet only, excluding handle and other external projections
²⁾ MIR-L15-PE operates between +2°C and +50°C
³⁾ Nominal value, Background noise 20dB

* Complies with Art. 11, Annex III of F-Gas Regulation (EU) No 517/2014. Contains fluorinated greenhouse gases.



MIR-154-PE - 123 liters

MIR-254-PE - 238 liters



PHC Europe B.V.
 Nijverheidsweg 120 | 4879 AZ Etten-Leur | Netherlands
 T: +31 (0) 76 543 3839 | F: +31 (0) 76 541 3732
www.phchd.com/eu/biomedical